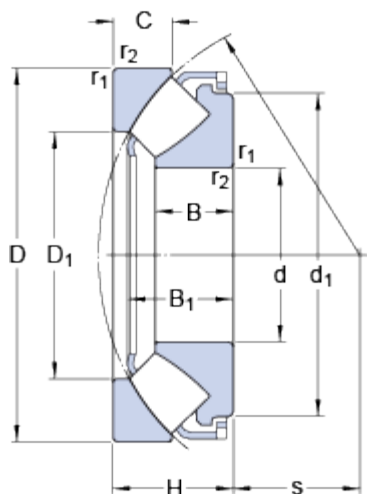


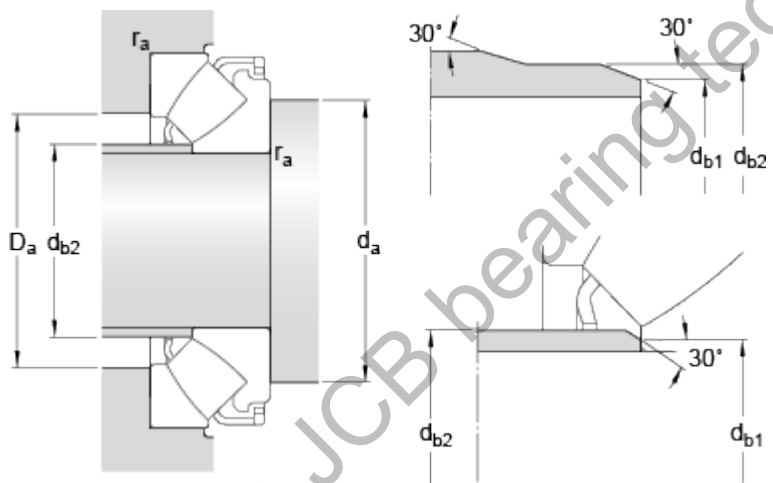
29434

Dimensions



d	170	mm
D	340	mm
H	103	mm
d <sub>1</sub>	≈ 297	mm
D <sub>1</sub>	≈ 236	mm
B	65.5	mm
B <sub>1</sub>	91.2	mm
C	50	mm
s	104	mm
r <sub>1,2</sub>	min. 5	mm

Abutment dimensions



d <sub>a</sub>	min. 250	mm
d <sub>b1</sub>	max. 185	mm
d <sub>b2</sub>	max. 199	mm
D <sub>a</sub>	max. 286	mm
r <sub>a</sub>	max. 4	mm

Calculation data

Basic dynamic load rating	C	2360	kN
Basic static load rating	C <sub>0</sub>	6550	kN
Fatigue load limit	P <sub>u</sub>	640	kN
Reference speed		1100	r/min
Limiting speed		1900	r/min
Minimum axial load factor	A	4.1	

Mass

Mass bearing		44.5	kg
--------------	--	------	----